



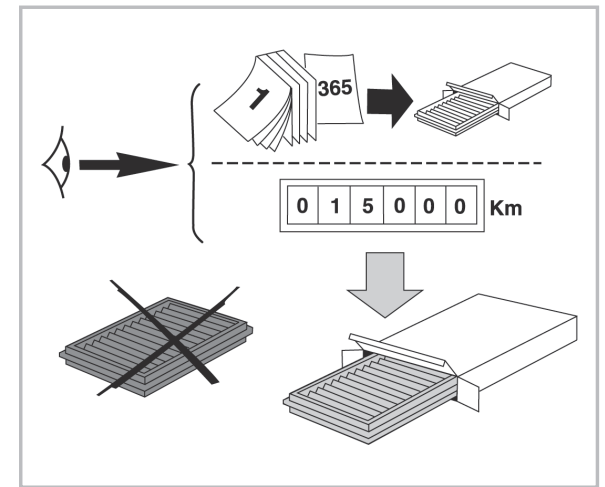
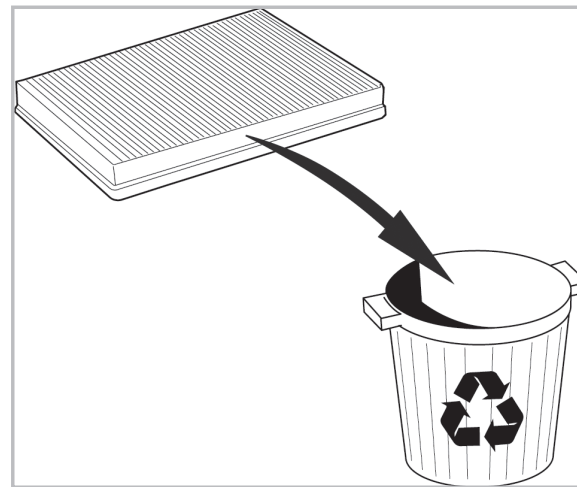
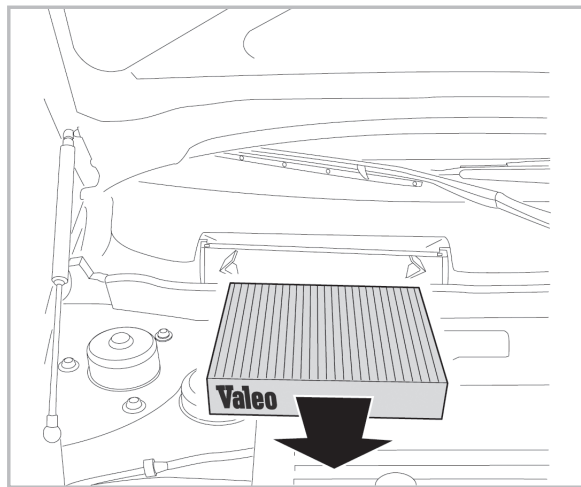
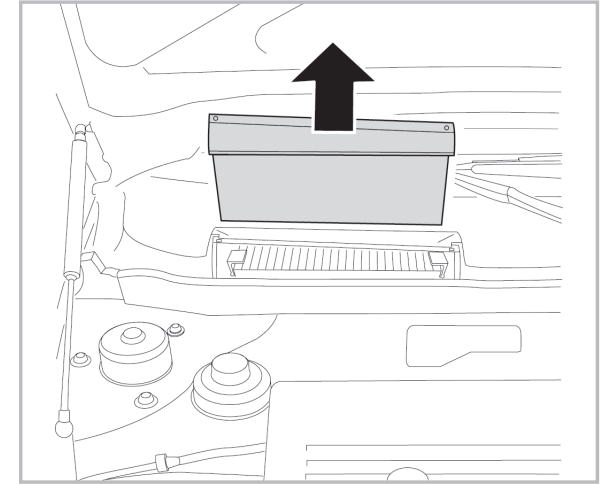
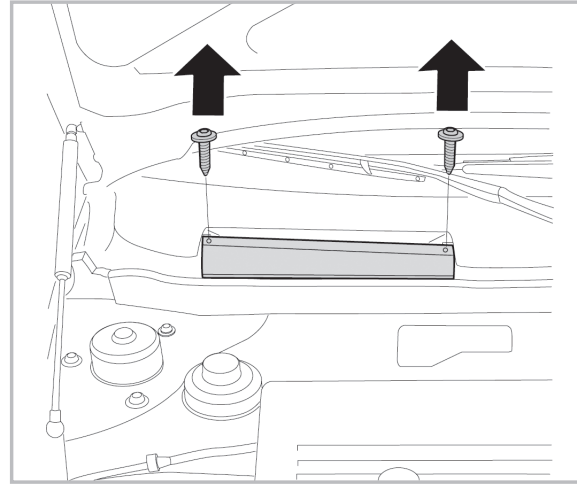
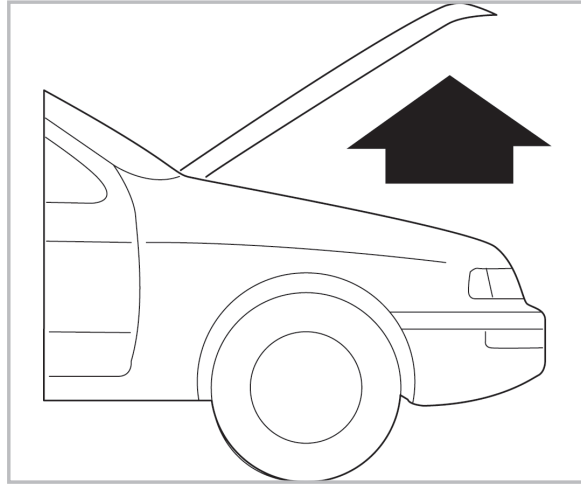
FOR
CITROËN
PEUGEOT

JUMPER A/C+/- (02/94 >)
BOXER A/C+/- (02/94 >)



COMFORT

particle
filter



698858

FH422



PA

**WANT TO
KNOW MORE?**



www.valeo-techassist.com



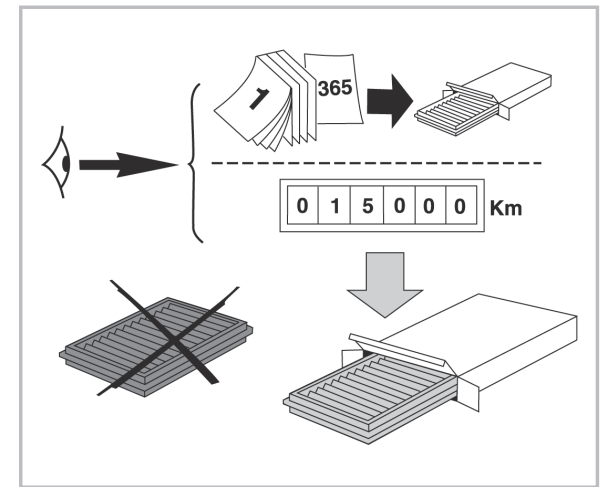
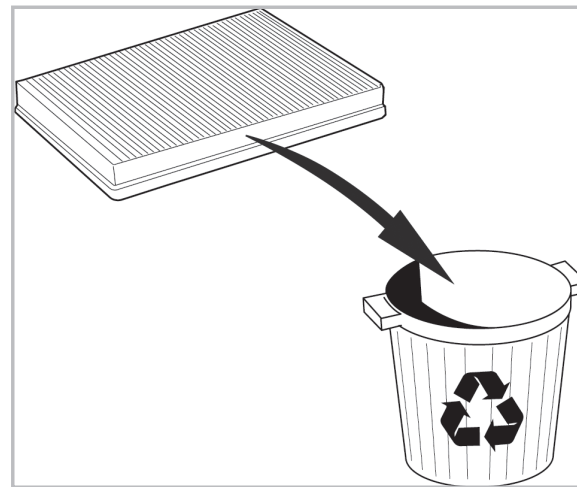
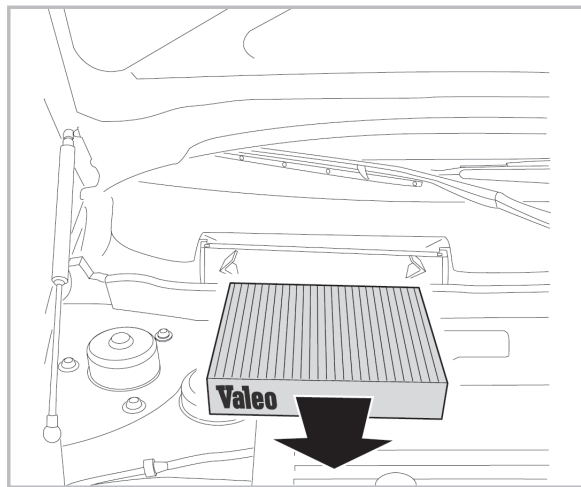
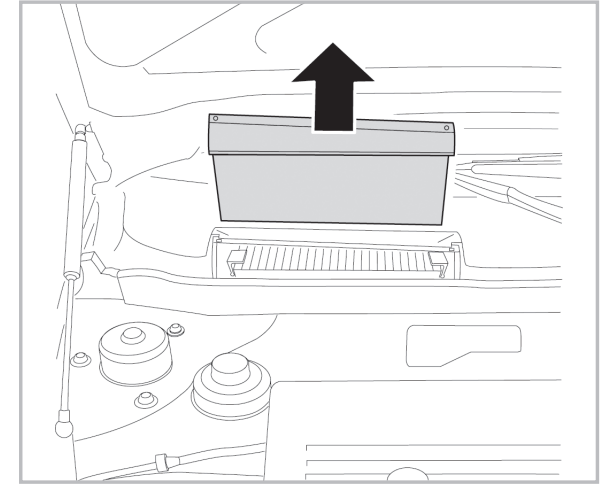
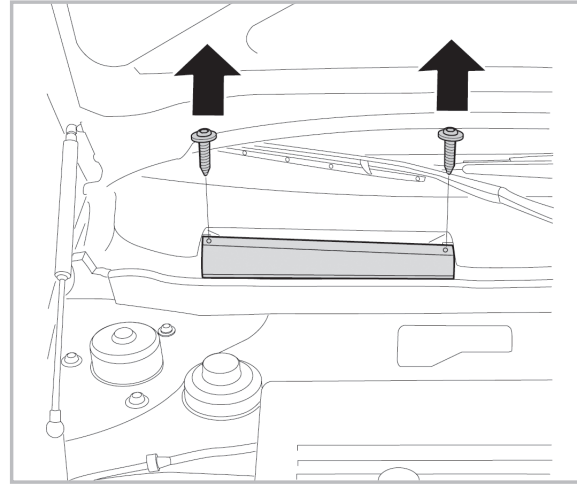
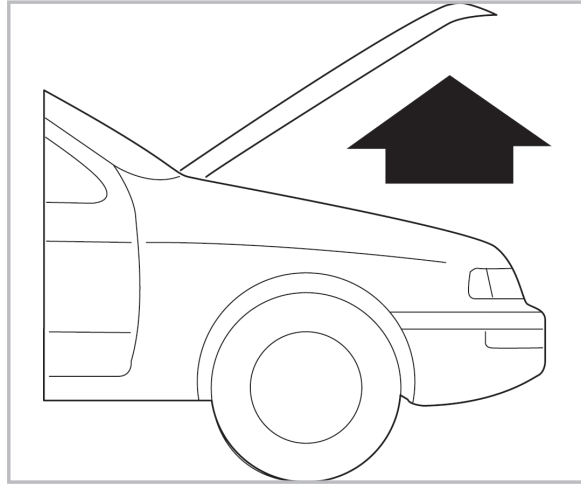
FOR
FIAT

DUCATO A/C+/- (02/94 >)



COMFORT

particle
filter



698858

FH422



PA

WANT TO
KNOW MORE?



www.valeo-techassist.com